

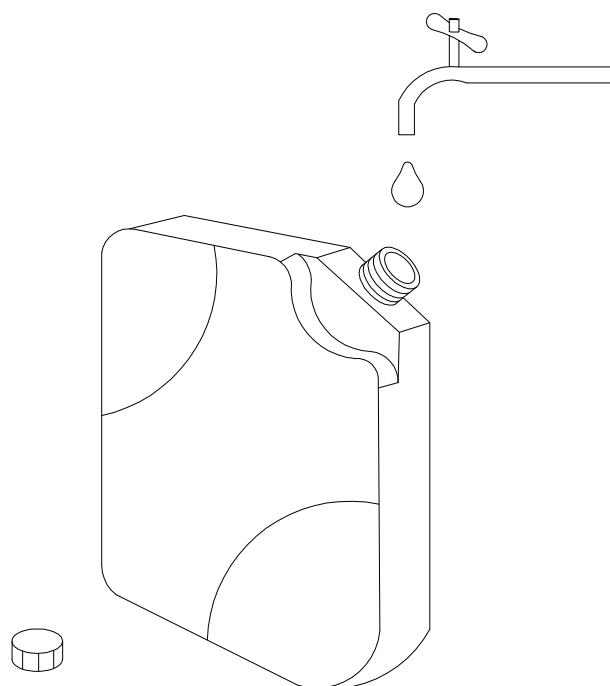
5'



1

1/3

1a



1b

