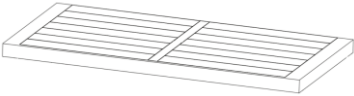








ASSEMBLY INSTRUCTION

NOTE: 1. Always move table by two persons together

2. Periodically check & re-tighten bolts & parts

Parts List	
A2	A3
Table frame	Leg
	
1pc	4pcs

Hardware List				
B1	B2	B3	B4	B5
Big washer	Long bolt	Leg cap	Leg Cap	Hexagon wrench
				
4pcs	4pcs	4pcs	4pcs	1pc

Step 1. Place the table rim upside down on a flat, nonabrasive surface. Attach leg to table frame by inserting in the order of bolt, lock washer. Tighten all bolts with the wrench provided.

Step 2. With the help of another person, carefully turn the table in the upright position and place the glass on the table frame.

