




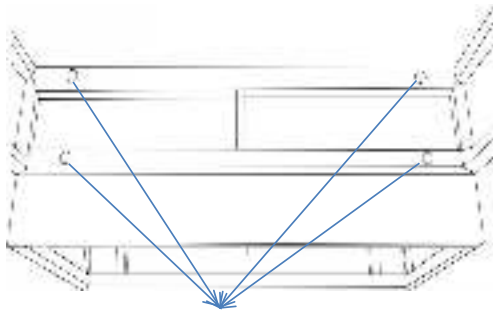
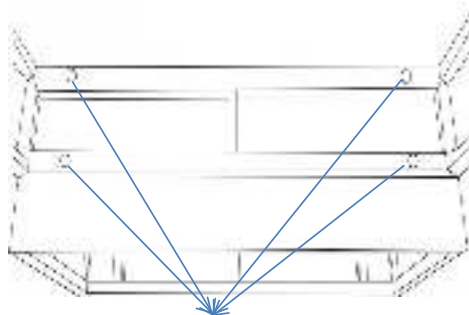
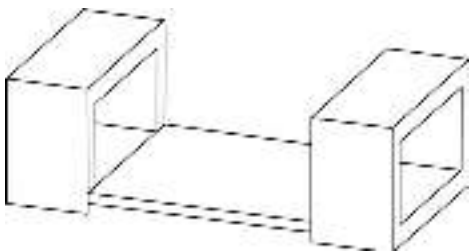
 <p>leg 2pcs</p>	 <p>shelter 1pcs</p>	 <p>glass 1pcs</p>	 <p>6*30mm screw 8pcs</p>	 <p>Allen key 1pc</p>	
			 <p>Washer 8pcs</p>		



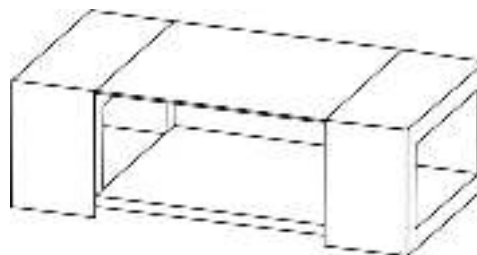
Step 1, Install the shelter on the first leg with screws by Allen key, then tighten them.



Step 2, Install another leg on the other end of shelter with screws and tighten them.



Step 3, The table assembled



Step 4, Finally, put the glass on the support